



LEFROY BROOKS

1 8 2 8 T R O U T M A N S T R E E T  
R I D G E W O O D N E W Y O R K N Y 1 1 3 8 5 U S A  
T : + 1 ( 7 1 8 ) 3 0 2 5 2 9 2 F : + 1 ( 7 1 8 ) 3 0 2 4 1 7 7

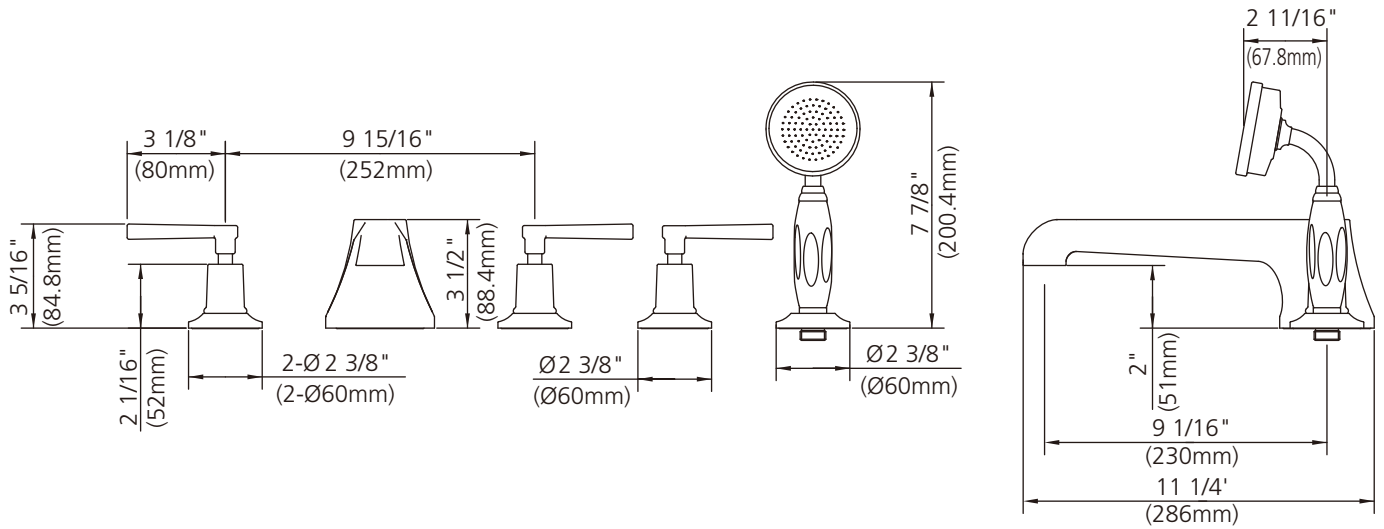
## M1-2205

LEVER 5-HOLE BATH SET & PULL-OUT METAL-FINISH HAND SHOWER WITH DECK DIVERTER TRIM ONLY, TO SUIT R1-4007 ROUGH

### DIMENSIONAL DATA SHEET

DATE: 10 NOVEMBER 2014

No: A66F473-50



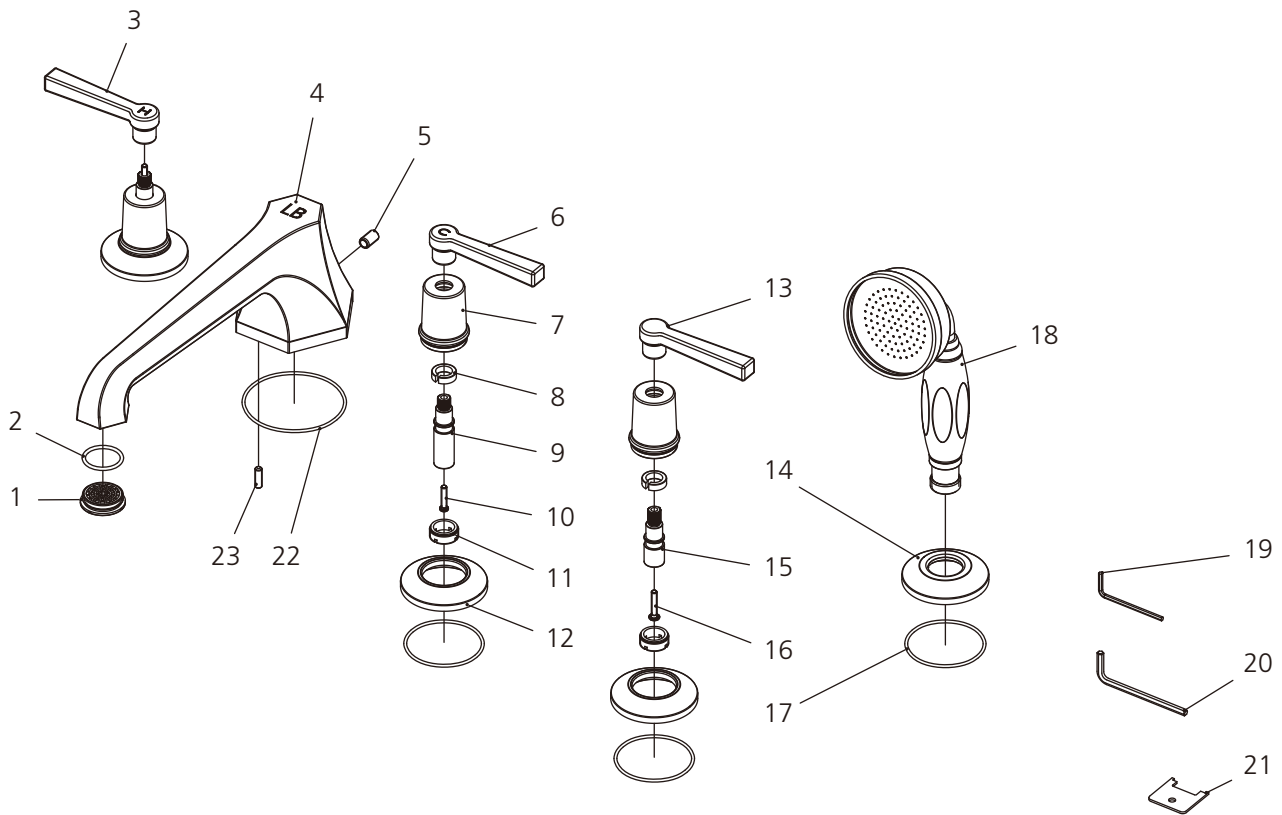
COPYRIGHT © LBIP LTD 2012. ALL RIGHTS RESERVED.

DIMENSIONS IN INCHES & MILLIMETRES

WHILST EVERY EFFORT IS MADE TO ENSURE THE ACCURACY OF THESE DATA SHEETS THEY ARE SUBJECT TO CHANGE WITHOUT NOTICE AS PART OF THE COMPANY'S PRODUCT DEVELOPMENT PROCESS

# M1-2205

LEVER 5-HOLE BATH SET & PULL-OUT METAL-FINISH HAND SHOWER WITH DECK DIVERTER TRIM ONLY, TO SUIT R1-4007 ROUGH

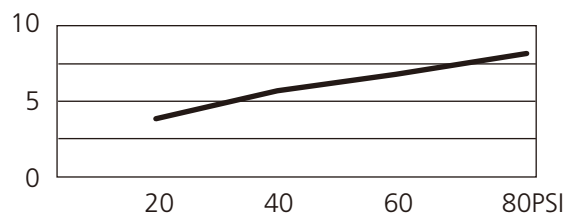


- |   |                        |    |                         |    |                             |
|---|------------------------|----|-------------------------|----|-----------------------------|
| 1 | Aerator (500058)       | 9  | Stem extension (110320) | 17 | O-ring (004591)             |
| 2 | O-ring (072091)        | 10 | Screw (008486)          | 18 | Hand shower (S2110309)      |
| 3 | Handle (H) (029686H-T) | 11 | Adapter (057507)        | 19 | Allen key (031000)          |
| 4 | Spout (118553-50)      | 12 | Escutcheon (215478)     | 20 | Allen key (031011)          |
| 5 | Screw (065027)         | 13 | Diverter (029686-T)     | 21 | Wrench for aerator (031214) |
| 6 | Handle (C) (029686C-T) | 14 | Escutcheon (071433)     | 22 | O-ring (072013)             |
| 7 | Canopy (018209)        | 15 | Adapter (067196-T)      | 23 | Set screw (292540)          |
| 8 | Clip (012242)          | 16 | Screw (008487)          |    |                             |

## Standards

IAPMO/cUPC Listed  
Meets A112.18.1

## Flow Rate



Please note :  
Final achievable flow rate is dependent on the outlets fitted, see relevant outlets (spouts, roses, sprays) for fully assembled product flow rate.